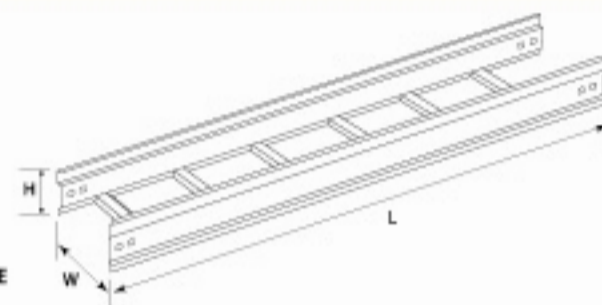
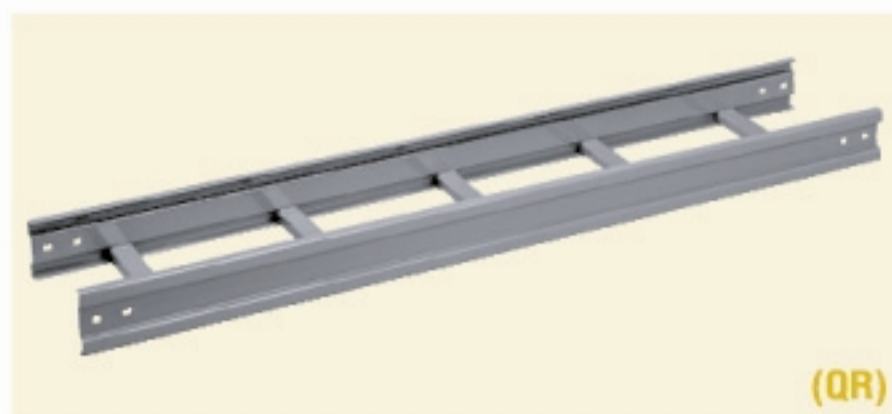


CABLE LADDER

Code No.	Width (mm.)	Height (mm.)	Length (mm.)
UI-L / QR-20	200	100	3000
UI-L / QR-30	300	100	3000
UI-L / QR-40	400	100	3000
UI-L / QR-50	500	100	3000
UI-L / QR-60	600	100	3000
UI-L / QR-70	700	100	3000
UI-L / QR-80	800	100	3000
UI-L / QR-90	900	100	3000
UI-L / QR-100	1000	100	3000

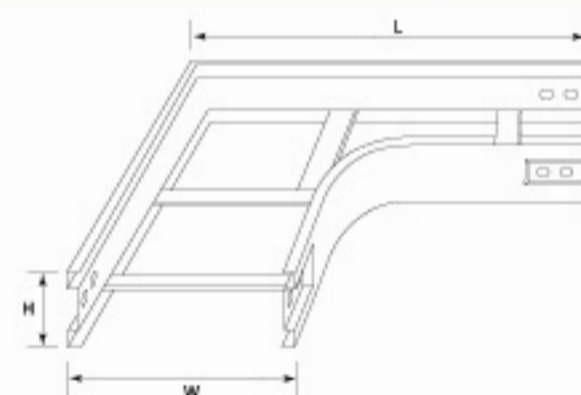
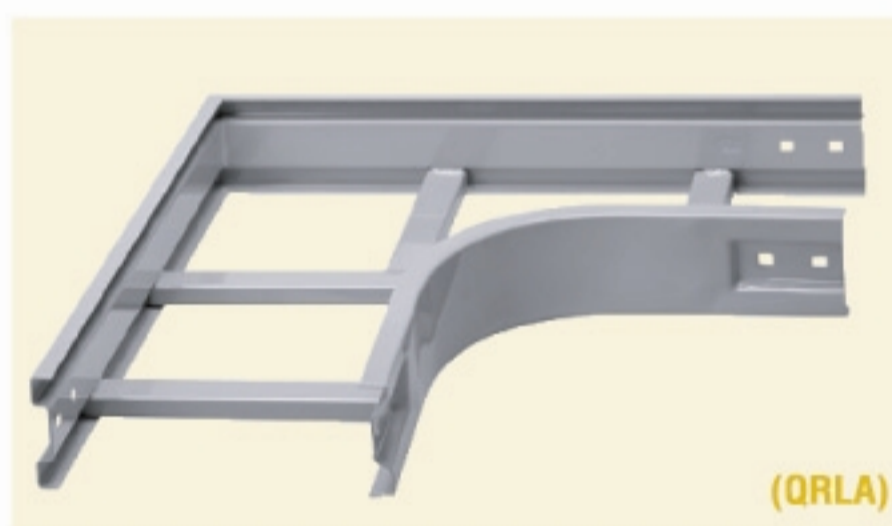


STRAIGHT LADDER
STANDARD LENGTH : 3.0 METRE
PUNG SPACING : 2.0 MM.
MATERIAL : STEEL SHEET
FINISHING : EC (EPOXY POWDER COATING)
 HD (HOT DIPPED GALVANISED)
 AL (ALUZINC)
 ZI (ZINC)
COLOUR : DARK GRAY, WHITE, ETC.
THICKNESS : 2.0 MM.

CABLE LADDER SYSTEM ACCESSORIES

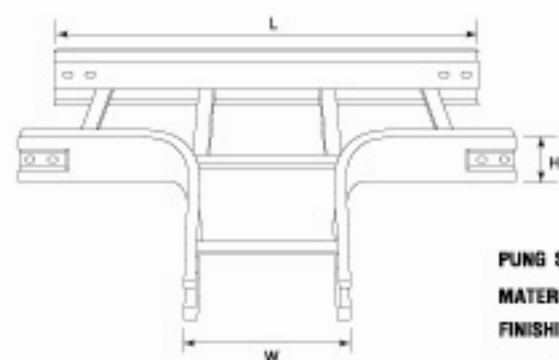
HORIZONTAL ELBOW

Code No.	Width (mm.)	Height (mm.)	Length (mm.)
UI-L / QRLA-20	200	100	565
UI-L / QRLA-30	300	100	665
UI-L / QRLA-40	400	100	765
UI-L / QRLA-50	500	100	865
UI-L / QRLA-60	600	100	965
UI-L / QRLA-70	700	100	1065
UI-L / QRLA-80	800	100	1165
UI-L / QRLA-90	900	100	1265
UI-L / QRLA-100	1000	100	1365



PUNG SPACING : 2.0 MM.
MATERIAL : STEEL SHEET
FINISHING : EC (EPOXY POWDER COATING)
 HD (HOT DIPPED GALVANISED)
 AL (ALUZINC)
 ZI (ZINC)
COLOUR : DARK GRAY, WHITE, ETC.
THICKNESS : 2.0 MM.

HORIZONTAL TEE

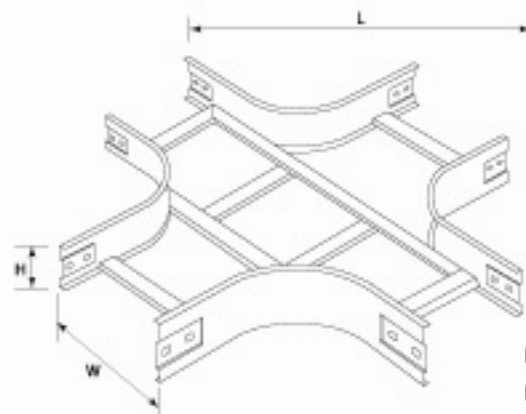


- PUNG SPACING :** 2.0 MM.
- MATERIAL :** SHEET STEEL
- FINISHING :** EC (EPOXY POWDER COATING)
HD (HOT DIPPED GALVANISED)
AL (ALUZINC)
Zi (ZINC)
- COLOUR :** DARK GRAY, WHITE, ETC.
- THICKNESS :** 2.0 MM.

Code No.	Width (mm.)	Height (mm.)	Length (mm.)
UI-L / QRT20	200	100	930
UI-L / QRT-30	300	100	1030
UI-L / QRT-40	400	100	1130
UI-L / QRT-50	500	100	1230
UI-L / QRT-60	600	100	1330
UI-L / QRT-70	700	100	1430
UI-L / QRT-80	800	100	1530
UI-L / QRT-90	900	100	1630
UI-L / QRT-100	1000	100	1730

CABLE LADDER SYSTEM ACCESSORIES

HORIZONTAL CROSSES



- PUNG SPACING :** 2.0 MM.
- MATERIAL :** SHEET STEEL
- FINISHING :** EC (EPOXY POWDER COATING)
HD (HOT DIPPED GALVANISED)
AL (ALUZINC)
Zi (ZINC)
- COLOUR :** DARK GRAY, WHITE, ETC.
- THICKNESS :** 2.0 MM.

Code No.	Width (mm.)	Height (mm.)	Length (mm.)
UI-L / QRX-20	200	100	930
UI-L / QRX-30	300	100	1030
UI-L / QRX-40	400	100	1130
UI-L / QRX-50	500	100	1230
UI-L / QRX-60	600	100	1330
UI-L / QRX-70	700	100	1430
UI-L / QRX-80	800	100	1530
UI-L / QRX-90	900	100	1630
UI-L / QRX-100	1000	100	1730

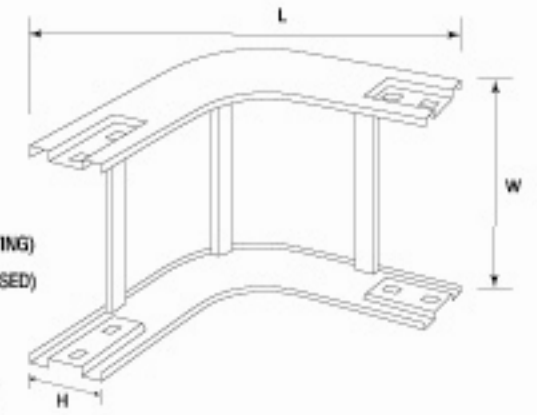
INSIDE VERTICAL RISER

Code No.	Width (mm.)	Height (mm.)	Length (mm.)
UI-L / QRI-20	200	100	420
UI-L / QRI-30	300	100	420
UI-L / QRI-40	400	100	420
UI-L / QRI-50	500	100	420
UI-L / QRI-60	600	100	420
UI-L / QRI-70	700	100	420
UI-L / QRI-80	800	100	420
UI-L / QRI-90	900	100	420
UI-L / QRI-100	1000	100	420



(QRI)

PUNG SPACING : 2.0 MM.
 MATERIAL : SHEET STEEL
 FINISHING : EC (EPOXY POWDER COATING)
 HD (HOT DIPPED GALVANISED)
 AL (ALUZINC)
 ZI (ZINC)
 COLOUR : DARK GRAY, WHITE, ETC.
 THICKNESS : 2.0 MM.



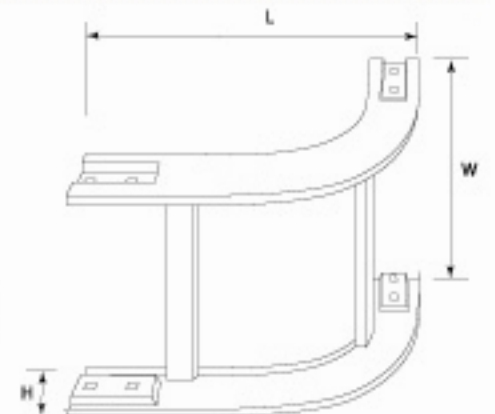
OUTSIDE VERTICAL RISER

Code No.	Width (mm.)	Height (mm.)	Length (mm.)
UI-L / QRO-20	200	100	420
UI-L / QRO-30	300	100	420
UI-L / QRO-40	400	100	420
UI-L / QRO-50	500	100	420
UI-L / QRO-60	600	100	420
UI-L / QRO-70	700	100	420
UI-L / QRO-80	800	100	420
UI-L / QRO-90	900	100	420
UI-L / QRO-100	1000	100	420

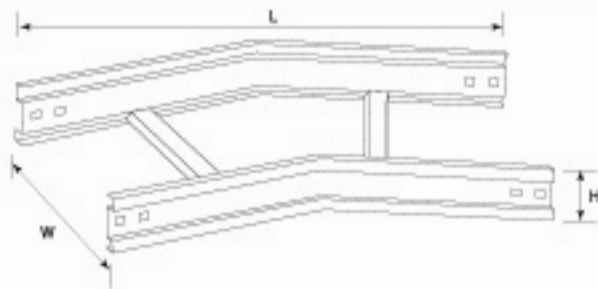
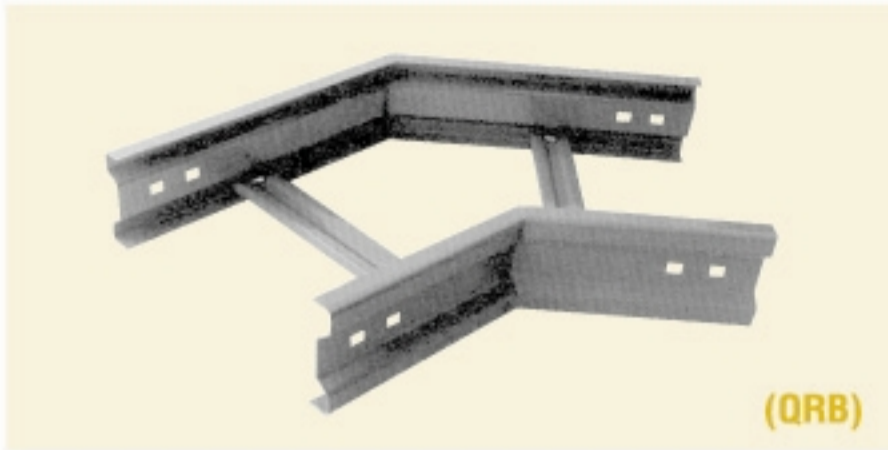


(QRO)

PUNG SPACING : 2.0 MM.
 MATERIAL : SHEET STEEL
 FINISHING : EC (EPOXY POWDER COATING)
 HD (HOT DIPPED GALVANISED)
 AL (ALUZINC)
 ZI (ZINC)
 COLOUR : DARK GRAY, WHITE, ETC.
 THICKNESS : 2.0 MM.



HORIZONTAL 45 DEG. ELBOW

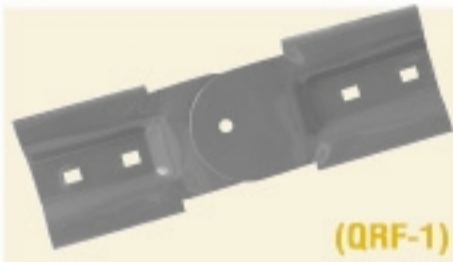


PUNG SPACING : 2.0 MM.
MATERIAL : STEEL SHEET
FINISHING : EC (EPOXY POWDER COATING)
 HD (HOT DIPPED GALVANISED)
 AL (ALUZINC)
 Z1 (ZINC)
COLOUR : DARK GRAY, WHITE, ETC.
THICKNESS : 2.0 MM.

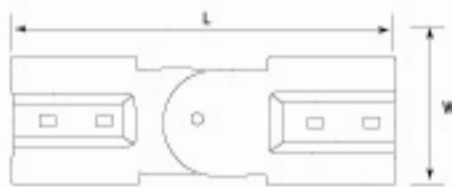
Code No.	Width (mm.)	Height (mm.)	Length (mm.)
UI-L / QRB20	200	100	350
UI-L / QRB-30	300	100	427
UI-L / QRB-40	400	100	503
UI-L / QRB-50	500	100	580
UI-L / QRB-60	600	100	565
UI-L / QRB-70	700	100	733
UI-L / QRB-80	800	100	810
UI-L / QRB-90	900	100	886
UI-L / QRB-100	1000	100	963

SPLICE PLATE ADJUSTABLE EXPANSION CABLE LADDER

VERTICAL ADJUSTABLE SPLICE PLATE



UI-L/QRF-EC	30 - 110 - 2	EPOXY
UI-L/QRF-HD	30 - 120 - 2	HOT DIP GAL
UI-L/QRF-AZ	30 - 130 - 2	ALUZINC

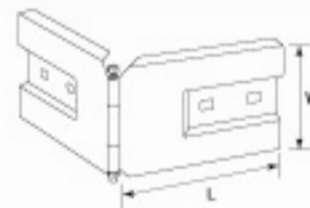


MATERIAL : SHEET STEEL
FINISHING : EC (EPOXY POWDER COATING)
 HD (HOT DIPPED GALVANISED)
 A2 (ALUZINC)
 Z1 (ZINC)
COLOUR : DARK GRAY
THICKNESS : 2.0 MM.

HORIZONTAL ADJUSTABLE SPLICE PLATE



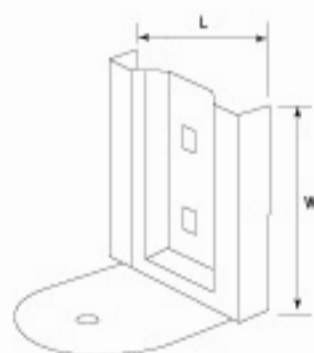
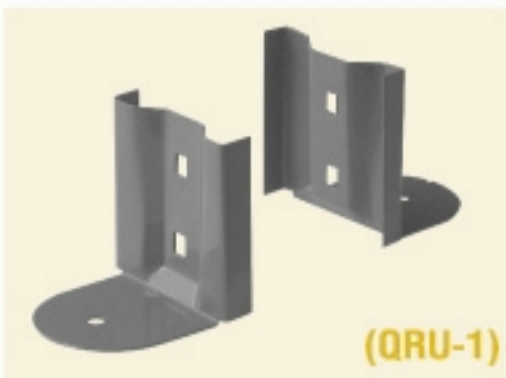
MATERIAL : SHEET STEEL
FINISHING : EC (EPOXY POWDER COATING)
 HD (HOT DIPPED GALVANISED)
 A2 (ALUZINC)
 Z1 (ZINC)
COLOUR : DARK GRAY
THICKNESS : 2.0 MM.



UI-L/RJO	30 - 110 - 4	EPOXY
UI-L/RJO	30 - 120 - 4	HOT DIP GAL
UI-L/RJO	30 - 130 - 4	ALUZINC

90° SPLICE PLATE JOGGLED EXPANSION CABLE LADDER

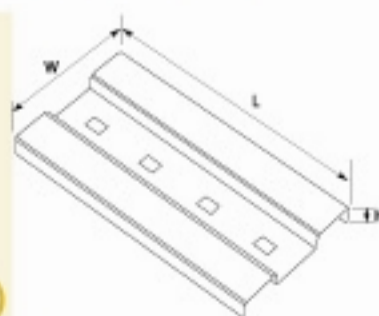
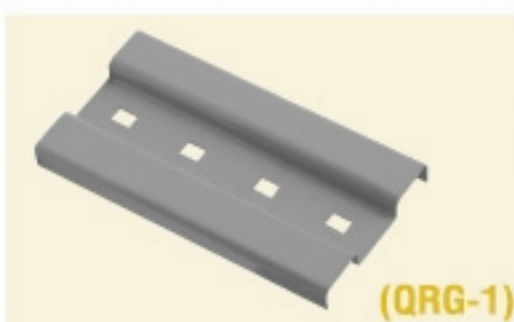
90 DEG. SPLICE PLATE



MATERIAL : SHEET STEEL
FINISHING : EC (EPOXY POWDER COATING)
 HD (HOT DIPPED GALVANISED)
 A2 (ALUZINC)
 Z1 (ZINC)
COLOUR : DARK GRAY
THICKNESS : 2.0 MM.

UI-L/QRU-EC	30 - 110 - 3	EPOXY
UI-L/QRU-HD	30 - 120 - 3	HOT DIP GAL
UI-L/QRU-AZ	30 - 130 - 3	ALUZINC

SPLICE PLATE CABLE LADDER



MATERIAL : SHEET STEEL
FINISHING : EC (EPOXY POWDER COATING)
 HD (HOT DIPPED GALVANISED)
 A2 (ALUZINC)
 Z1 (ZINC)
COLOUR : DARK GRAY
THICKNESS : 1.6 X 2.0 MM, 2.0 X 2.0 MM.

UI-L/QRG-EC	30 - 110 - 1	EPOXY
UI-L/QRG-HD	30 - 120 - 1	HOT DIP GAL
UI-L/QRG-AZ	30 - 130 - 1	ALUZINC