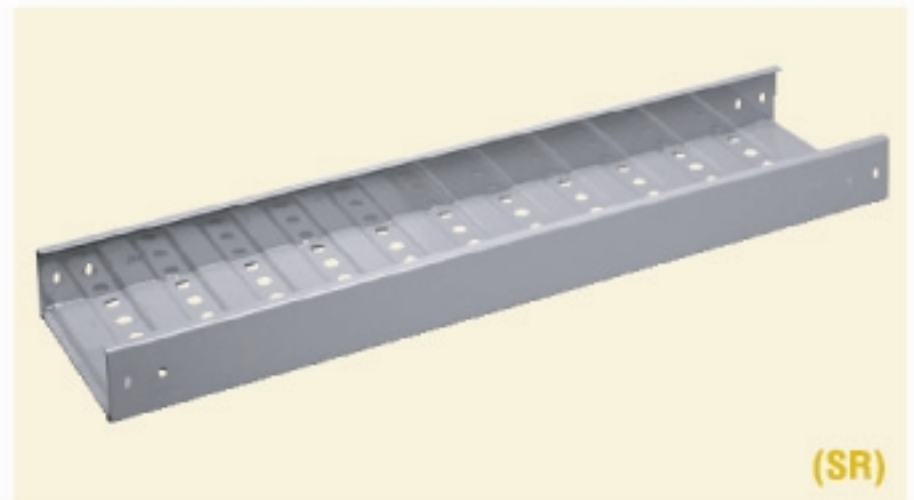
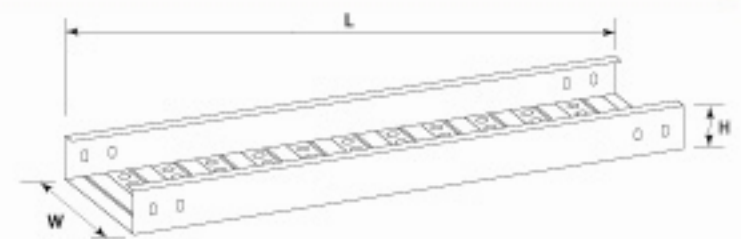


CABLE TRAY (HEAVE-DUTY)

Code No.	Width (mm.)	Height (mm.)	Length (mm.)
UI-T / SR-20	200	100	2,400
UI-T / SR-30	300	100	2,400
UI-T / SR-40	400	100	2,400
UI-T / SR-50	500	100	2,400
UI-T / SR-60	600	100	2,400
UI-T / SR-70	700	100	2,400
UI-T / SR-80	800	100	2,400
UI-T / SR-90	900	100	2,400
UI-T / SR-100	1000	100	2,400



(SR)

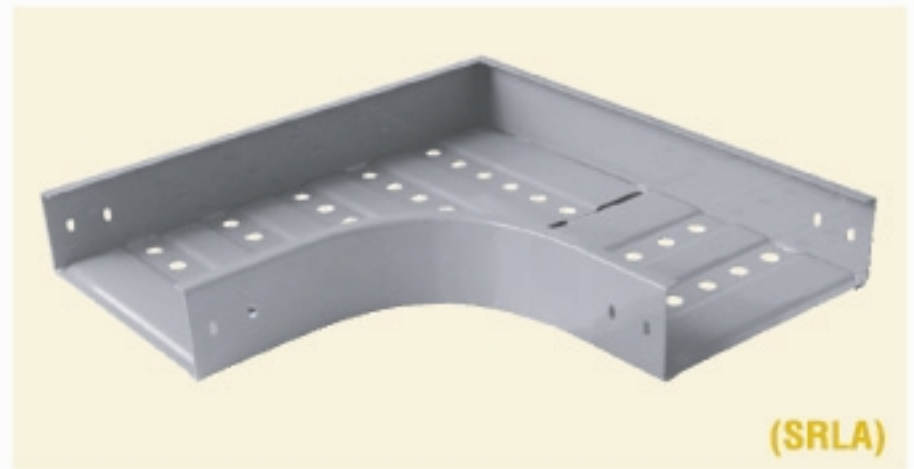


STRAIGHT TRAY
STANDARD LENGTH : 2.44 METRE
MATERIAL : SHEET STEEL
FINISHING : EC (EPOXY POWDER COATING)
 HD (HOT DIPPED GALVANISED)
 A2 (ALUZINC)
 Z1 (ZINC)
COLOUR : DARK GRAY
THICKNESS : 1.6 X 2.0 MM., 2.0 X 2.0 MM.

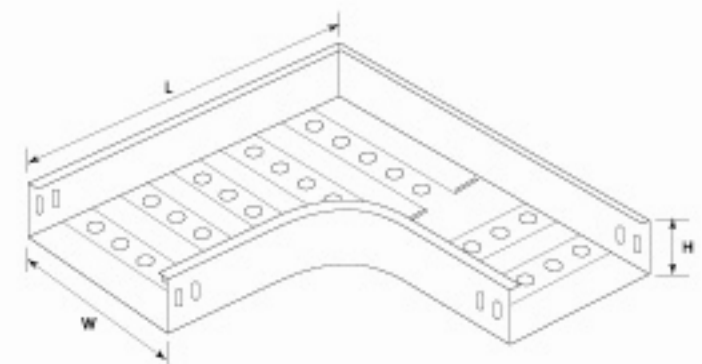
CABLE TRAY SYSTEM ACCESSORIES

HORIZONTAL ELBOW 90

Code No.	Width (mm.)	Height (mm.)	Length (mm.)
UI-T / SRLA-20	200	100	520
UI-T / SRLA-30	300	100	620
UI-T / SRLA-40	400	100	720
UI-T / SRLA-50	500	100	820
UI-T / SRLA-60	600	100	920
UI-T / SRLA-70	700	100	1020
UI-T / SRLA-80	800	100	1120
UI-T / SRLA-90	900	100	1220
UI-T / SRLA-100	1000	100	1320

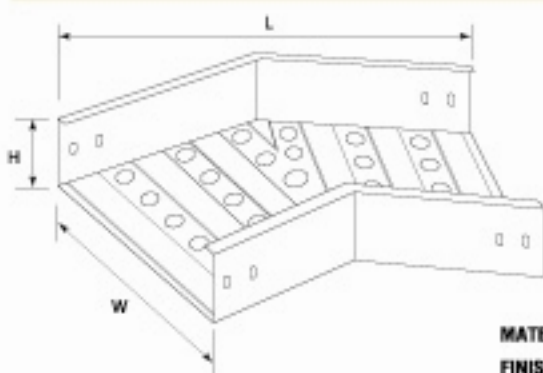
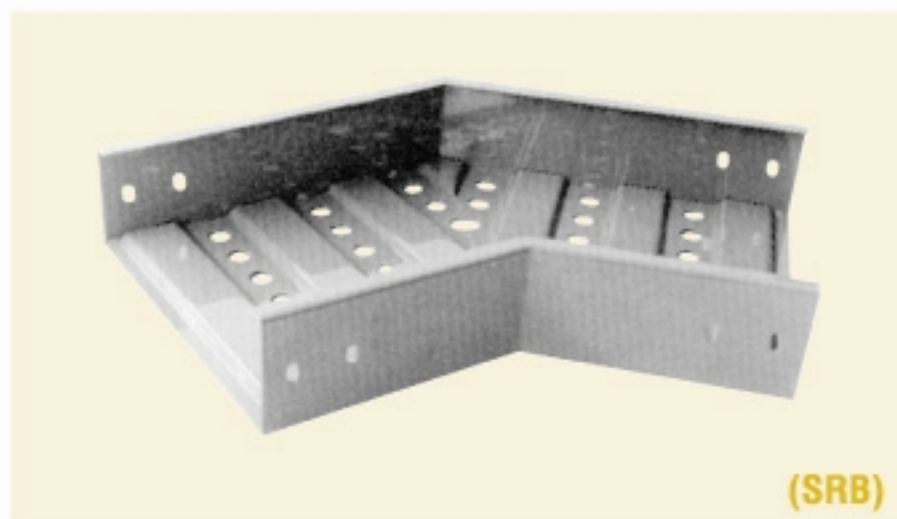


(SRLA)



MATERIAL : SHEET STEEL
FINISHING : EC (EPOXY POWDER COATING)
 HD (HOT DIPPED GALVANISED)
 A2 (ALUZINC)
 Z1 (ZINC)
COLOUR : DARK GRAY
THICKNESS : 1.6 X 2.0 MM., 2.0 X 2.0 MM.

HORIZONTAL 45 DEG. ELBOW

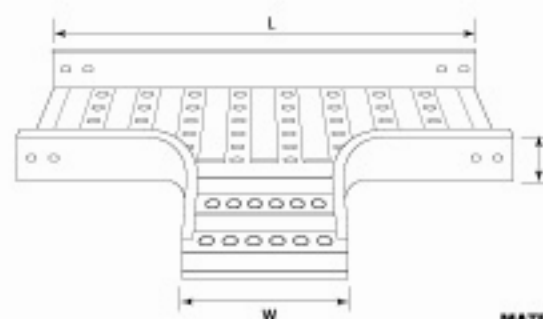
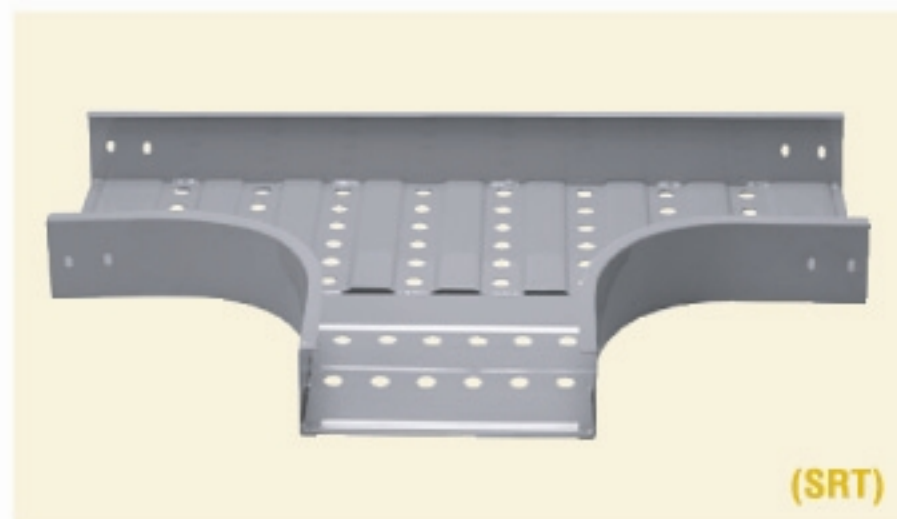


MATERIAL : SHEET STEEL
FINISHING : EC (EPOXY POWDER COATING)
 HD (HOT DIPPED GALVANISED)
 A2 (ALUZINC)
 Z1 (ZINC)
COLOUR : DARK GRAY
THICKNESS : 1.6 X 2.0 MM, 2.0 X 2.0 MM.

Code No.	Width (mm.)	Height (mm.)	Length (mm.)
UI-T / SRB-20	200	100	340
UI-T / SRB-30	300	100	410
UI-T / SRB-40	400	100	487
UI-T / SRB-50	500	100	563
UI-T / SRB-60	600	100	640
UI-T / SRB-70	700	100	716
UI-T / SRB-80	800	100	793
UI-T / SRB-90	900	100	870
UI-T / SRB-100	1000	100	946

CABLE TRAY SYSTEM ACCESSORIES

HORIZONTAL TEE

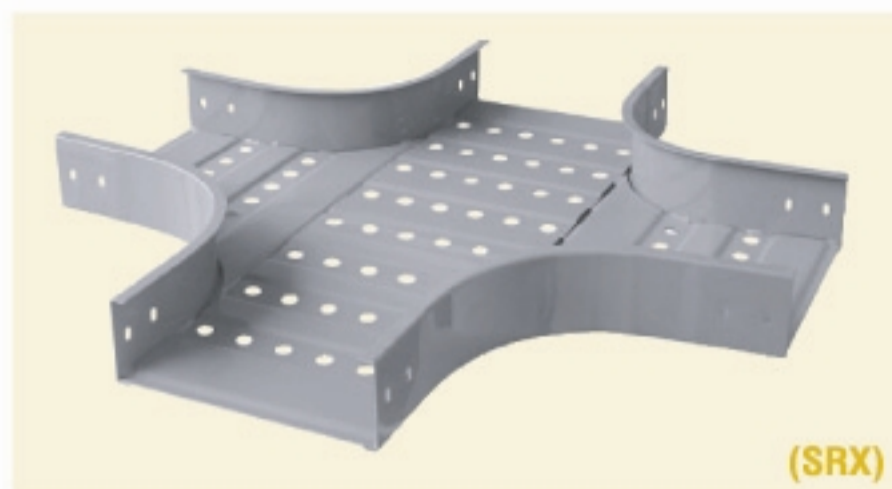


MATERIAL : SHEET STEEL
FINISHING : EC (EPOXY POWDER COATING)
 HD (HOT DIPPED GALVANISED)
 A2 (ALUZINC)
 Z1 (ZINC)
COLOUR : DARK GRAY
THICKNESS : 1.6 X 2.0 MM, 2.0 X 2.0 MM.

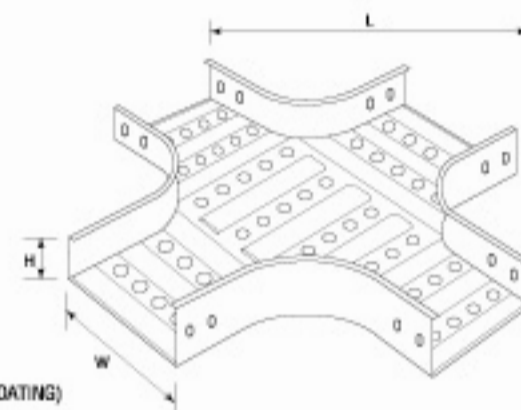
Code No.	Width (mm.)	Height (mm.)	Length (mm.)
UI-W / SRT-20	200	100	840
UI-W / SRT-30	300	100	940
UI-W / SRT-40	400	100	1040
UI-W / SRT-50	500	100	1140
UI-W / SRT-60	600	100	1240
UI-W / SRT-70	700	100	1340
UI-W / SRT-80	800	100	1440
UI-W / SRT-90	900	100	1540
UI-W / SRT-100	1000	100	1640

HORIZONTAL CROSSES

Code No.	Width (mm.)	Height (mm.)	Length (mm.)
UI-T / SRX-20	200	100	840
UI-T / SRX-30	300	100	940
UI-T / SRX-40	400	100	1040
UI-T / SRX-50	500	100	1140
UI-T / SRX-60	600	100	1240
UI-T / SRX-70	700	100	1340
UI-T / SRX-80	800	100	1440
UI-T / SRX-90	900	100	1540
UI-T / SRX-100	1000	100	1640



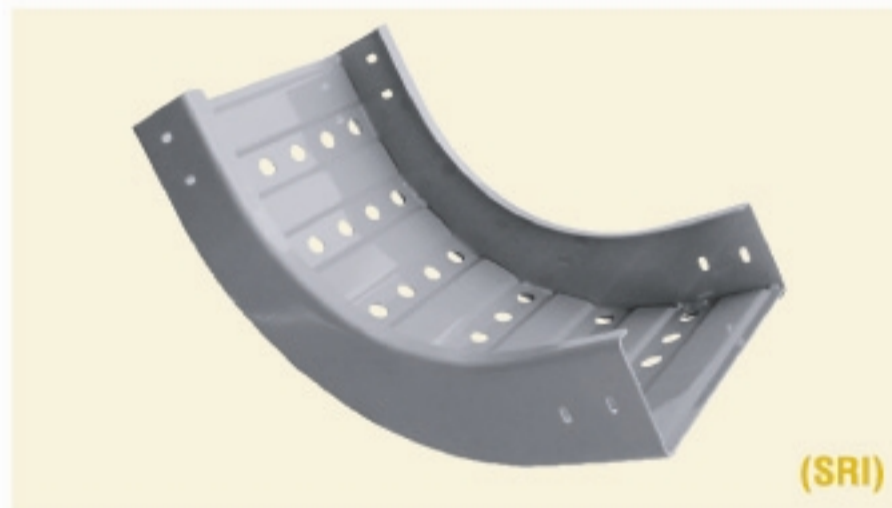
(SRX)



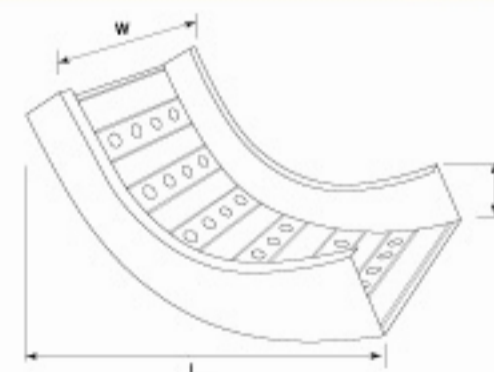
- MATERIAL** : STEEL SHEET
- FINISHING** : EC (EPOXY POWDER COATING)
HD (HOT DIPPED GALVANISED)
A2 (ALUZINC)
Z1 (ZINC)
- COLOUR** : DARK GRAY
- THICKNESS** : 1.6 X 2.0 MM, 2.0 X 2.0 MM.

INSIDE VERTICAL RISER

Code No.	Width (mm.)	Height (mm.)	Length (mm.)
UI-T / SRI-20	200	100	420
UI-T / SRI-30	300	100	420
UI-T / SRI-40	400	100	420
UI-T / SRI-50	500	100	420
UI-T / SRI-60	600	100	420
UI-T / SRI-70	700	100	420
UI-T / SRI-80	800	100	420
UI-T / SRI-90	900	100	420
UI-T / SRI-100	1000	100	420



(SRI)

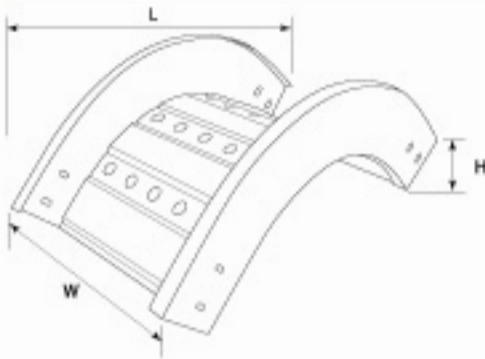


- MATERIAL** : STEEL SHEET
- FINISHING** : EC (EPOXY POWDER COATING)
HD (HOT DIPPED GALVANISED)
A2 (ALUZINC)
Z1 (ZINC)
- COLOUR** : DARK GRAY
- THICKNESS** : 1.6 X 2.0 MM, 2.0 X 2.0 MM.

OUTSIDE VERTICAL RISER



(SRO)

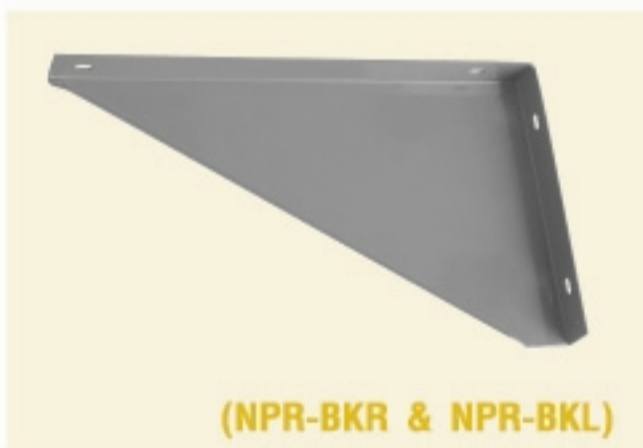


MATERIAL : SHEET STEEL
FINISHING : EC (EPOXY POWDER COATING)
 HD (HOT DIPPED GALVANISED)
 A2 (ALUZINC)
 Z1 (ZINC)
COLOUR : DARK GRAY
THICKNESS : 2.0 MM.

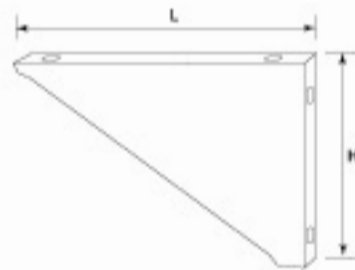
Code No.	Width (mm.)	Height (mm.)	Length (mm.)
UI-T / SRO-20	200	100	420
UI-T / SRO-30	300	100	420
UI-T / SRO-40	400	100	420
UI-T / SRO-50	500	100	420
UI-T / SRO-60	600	100	420
UI-T / SRO-70	700	100	420
UI-T / SRO-80	800	100	420
UI-T / SRO-90	900	100	420
UI-T / SRO-100	1000	100	420

BRACKET : UI-BKR & BKL

BRACKETS



(NPR-BKR & NPR-BKL)



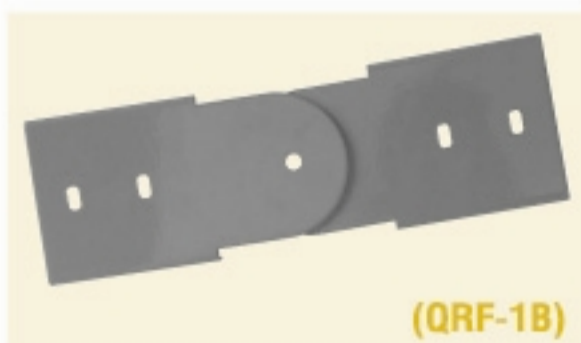
MATERIAL : SHEET STEEL
FINISHING : EC (EPOXY POWDER COATING)
 HD (HOT DIPPED GALVANISED)
 A2 (ALUZINC)
 Z1 (ZINC)
COLOUR : DARK GRAY
THICKNESS : 1.6 - 2.0 MM.

Type	Type
UI-BK / (BKR)-(BKL)-20	UI-BK / (BKR)-(BKL)-70
UI-BK / (BKR)-(BKL)-30	UI-BK / (BKR)-(BKL)-80
UI-BK / (BKR)-(BKL)-40	UI-BK / (BKR)-(BKL)-90
UI-BK / (BKR)-(BKL)-50	UI-BK / (BKR)-(BKL)-100
UI-BK / (BKR)-(BKL)-60	

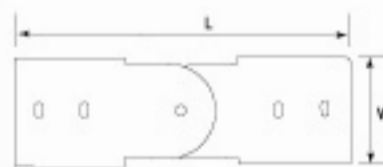
หมายเหตุ : BKR (Right) = เบร็วองรับด้านขวา
 BKL (Left) = เบร็วองรับด้านซ้าย

SPLICE PLATE ADJUSTABLE EXPANSION CABLE TRAY

VERTICAL ADJUSTABLE SPLICE PLATE



(QRF-1B)



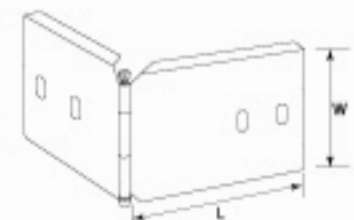
MATERIAL : SHEET STEEL
FINISHING : EC (EPOXY POWDER COATING)
 HD (HOT DIPPED GALVANISED)
 A2 (ALUZINC)
 Z1 (ZINC)
COLOUR : DARK GRAY
THICKNESS : 2.0 MM.

UI-L/QRF-EC	30 - 110 - 1B	EPOXY
UI-L/QRF-HD	30 - 120 - 1B	HOT DIP GAL
UI-L/QRF-AZ	30 - 130 - 1B	ALUZINC

HORIZONTAL ADJUSTABLE SPLICE PLATE



(RJO)



MATERIAL : SHEET STEEL
FINISHING : EC (EPOXY POWDER COATING)
 HD (HOT DIPPED GALVANISED)
 A2 (ALUZINC)
 Z1 (ZINC)
COLOUR : DARK GRAY
THICKNESS : 2.0 MM.

UI-T/RJO	30 - 110 - 5	EPOXY
UI-T/RJO	30 - 120 - 5	HOT DIP GAL
UI-T/RJO	30 - 130 - 5	ALUZINC